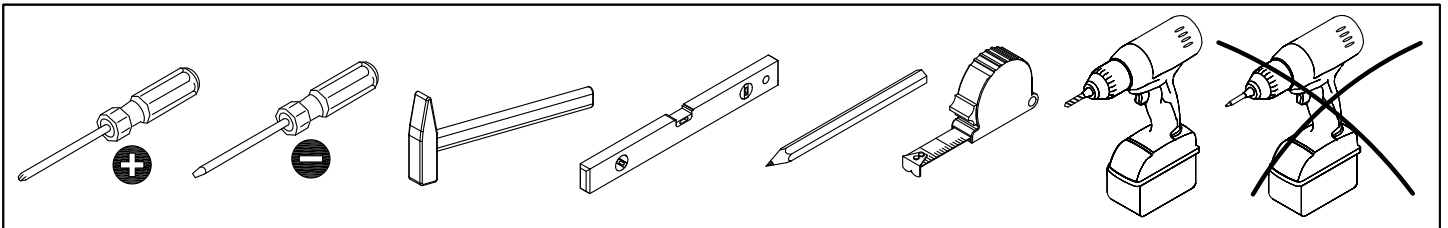
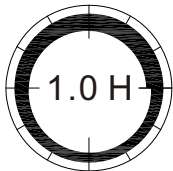
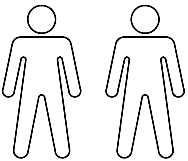
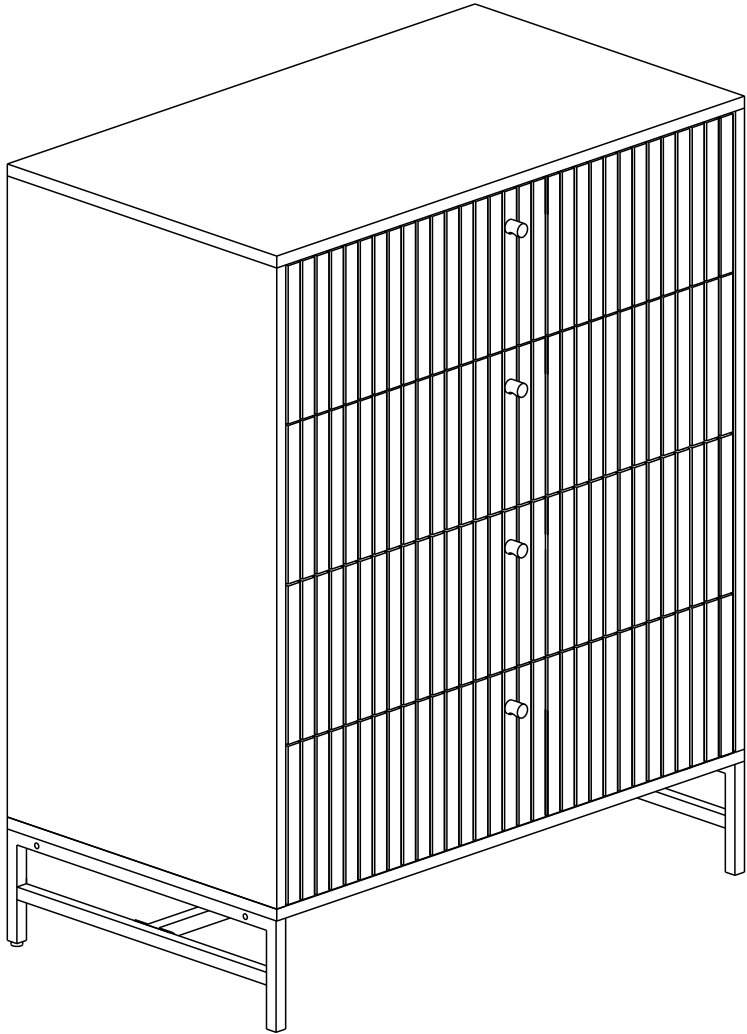
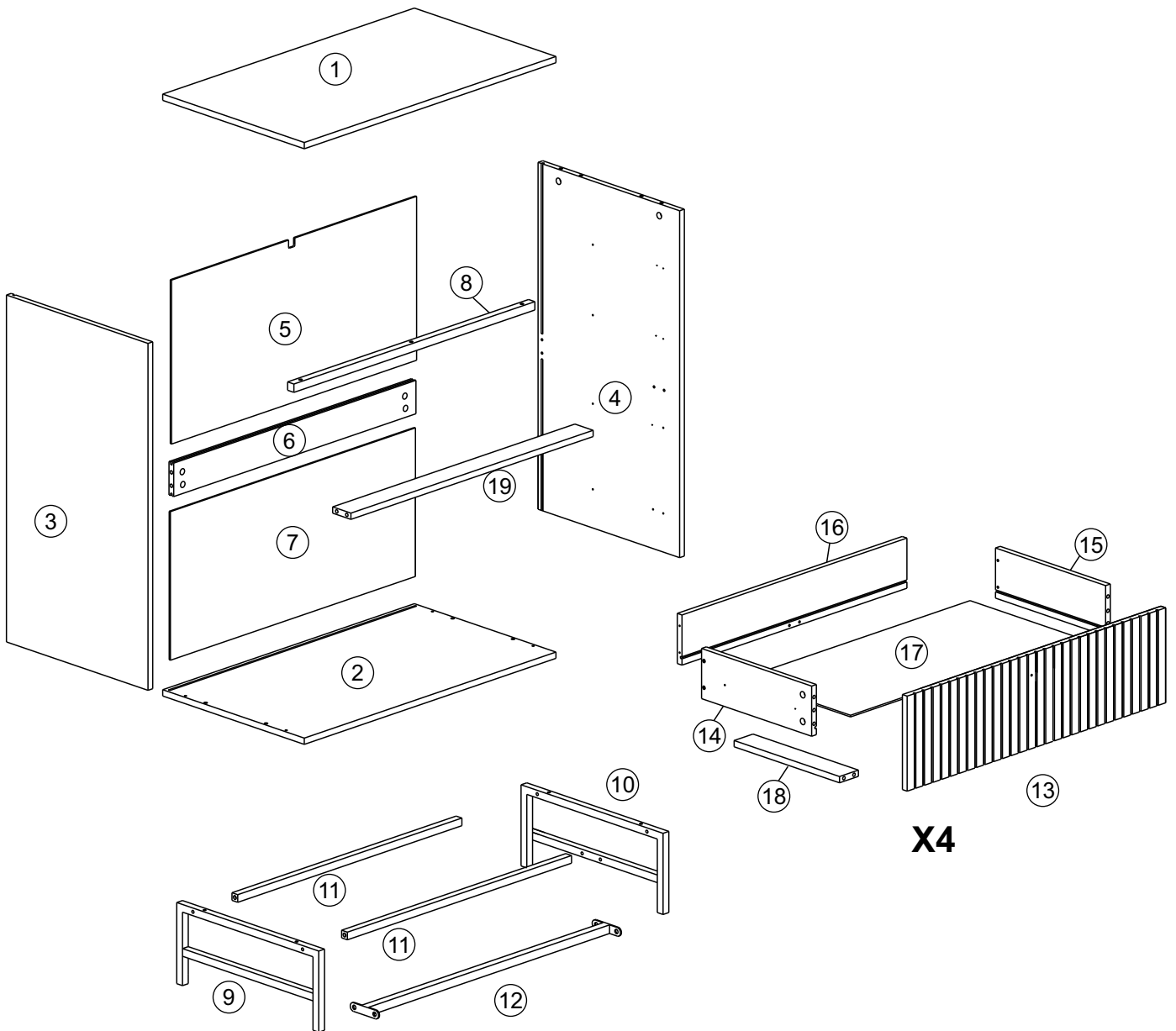


ALBANY

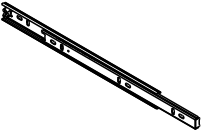
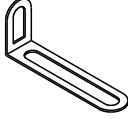
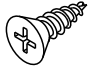
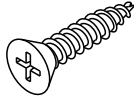
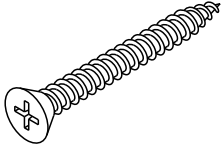
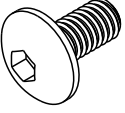
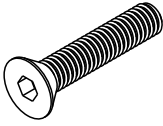
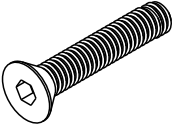
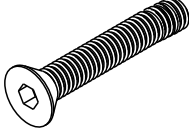

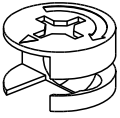
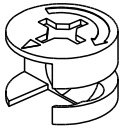
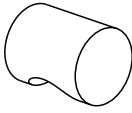
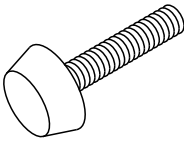
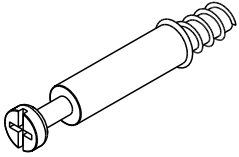
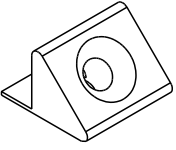
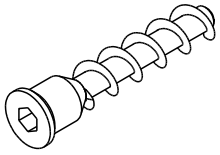
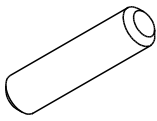
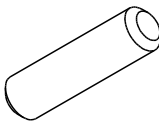
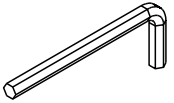
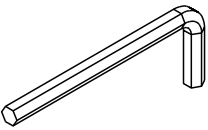


			✓
①	1	806x400x15mm	
②	1	806x400x15mm	
③	1	791x399x15mm	
④	1	791x399x15mm	
⑤	1	784x365x4mm	
⑥	1	775x80x15mm	
⑦	1	784x365x4mm	
⑧	1	706x20x20mm	
⑨	1	395x182x16mm	
⑩	1	395x182x16mm	

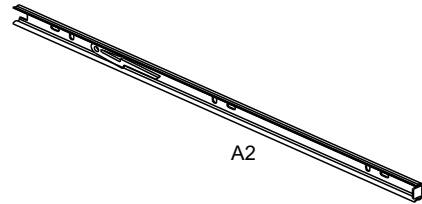
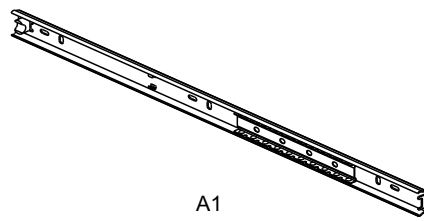
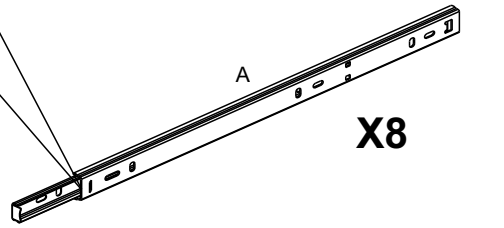
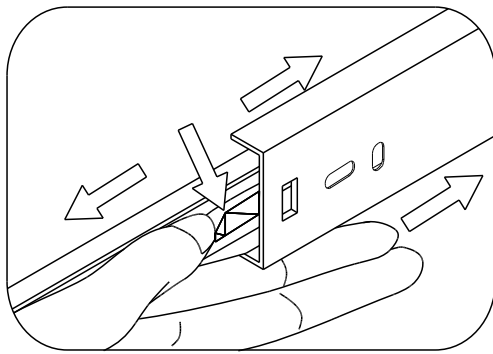
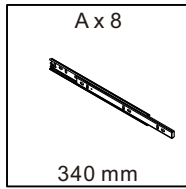
			✓
⑪	2	768x16x16mm	
⑫	1	768x70x16mm	
⑬	4	770x194x16mm	
⑭	4	341x148x12mm	
⑮	4	341x148x12mm	
⑯	4	732x148x12mm	
⑰	4	742x338x4mm	
⑱	4	329x60x12mm	
⑲	1	775x60x15mm	



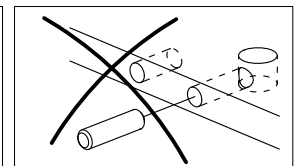
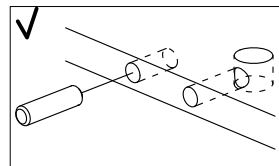
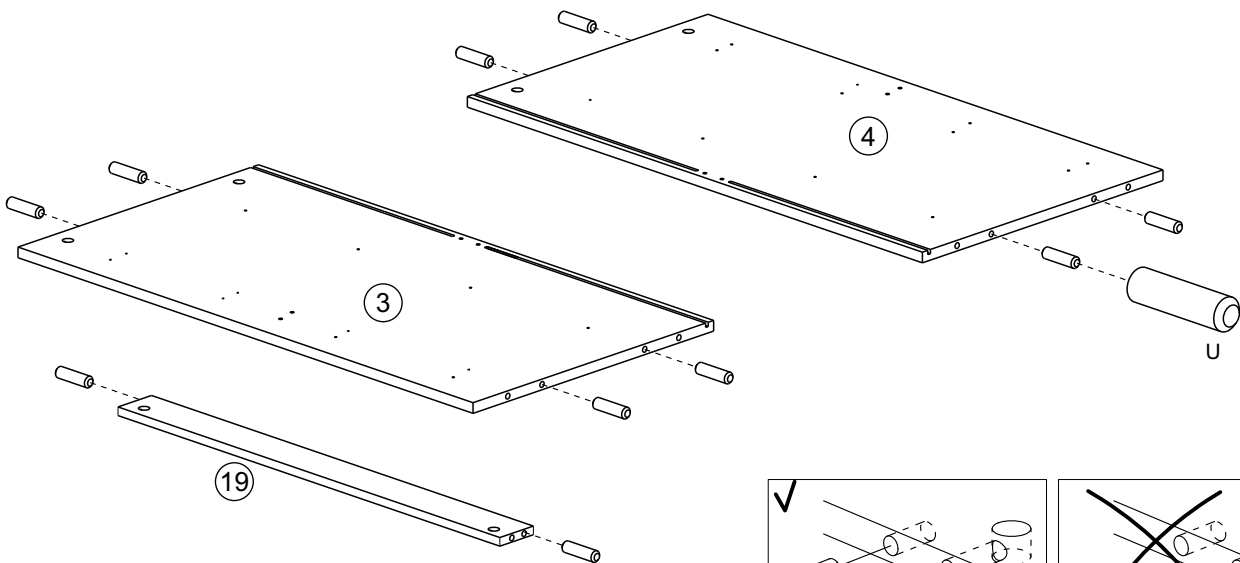
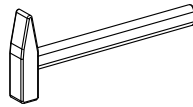
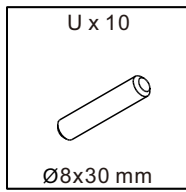
X4

<p>A x 8</p>  <p>340 mm</p>	<p>B x 1</p>  <p>75x25x15 mm</p>	<p>C x 40</p>  <p>Ø3.5x12 mm</p>	<p>D x 8</p>  <p>Ø3.5x20 mm</p>	<p>E x 24</p>  <p>Ø4x35 mm</p>
<p>F x 6</p>  <p>M6x12 mm</p>	<p>G x 4</p>  <p>M6x25 mm</p>	<p>H x 3</p>  <p>M6x30 mm</p>	<p>J x 4</p>  <p>M6x40 mm</p>	<p>K x 4</p>  <p>M4x20 mm</p>
<p>L x 24</p>  <p>Ø15x9 mm</p>	<p>M x 10</p>  <p>Ø15x12 mm</p>	<p>N x 4</p>  <p>Ø17x22 mm</p>	<p>P x 2</p>  <p>Ø13.5x25 mm</p>	<p>Q x 34</p>  <p>Ø6x45 mm</p>
<p>R x 8</p>  <p>15x13x10 mm</p>	<p>S x 4</p>  <p>Ø5x38 mm</p>	<p>T x 8</p>  <p>Ø6x30 mm</p>	<p>U x 10</p>  <p>Ø8x30 mm</p>	<p>V x 1</p>  <p>3 mm</p>
<p>W x 1</p>  <p>4 mm</p>				

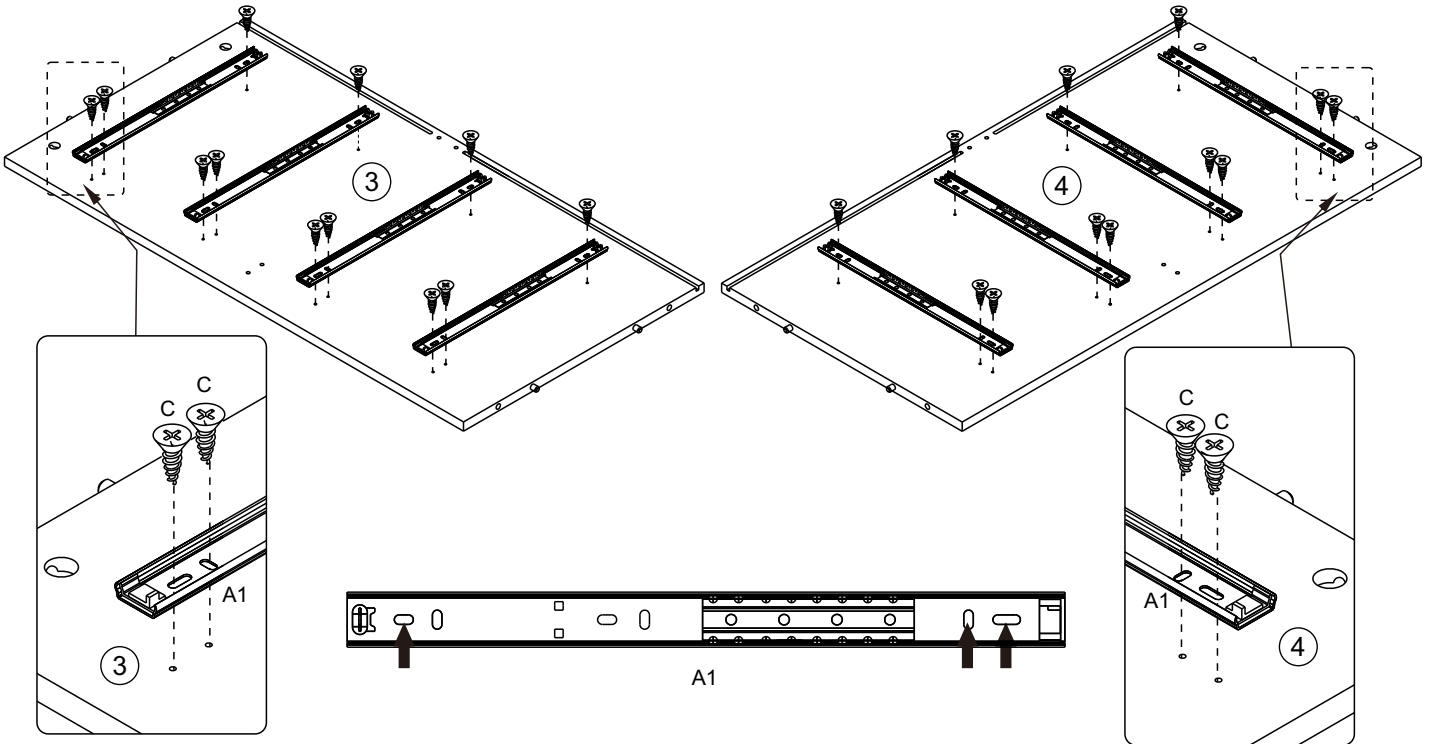
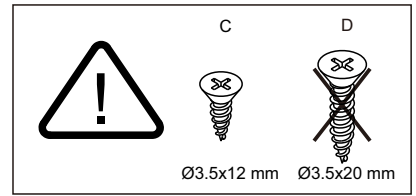
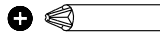
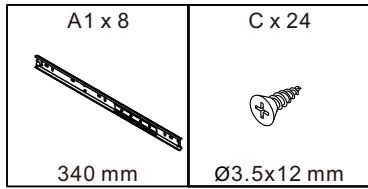
1



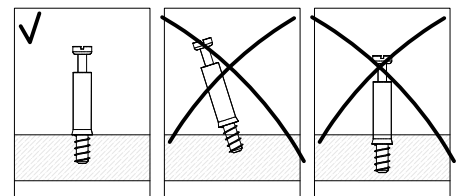
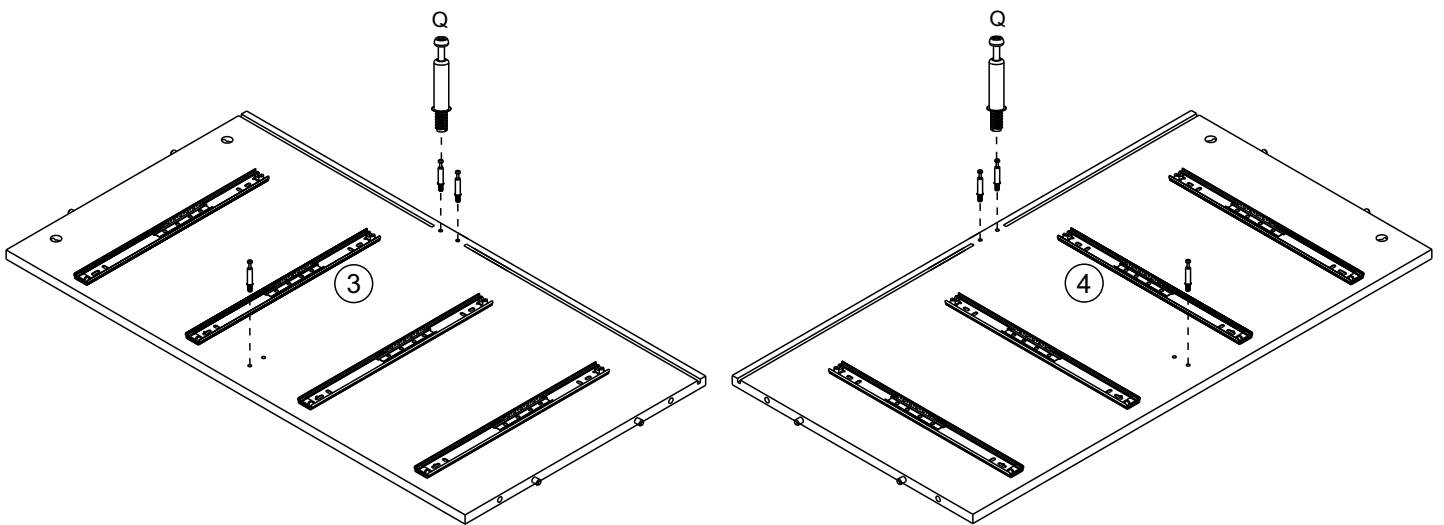
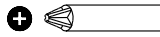
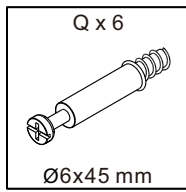
2



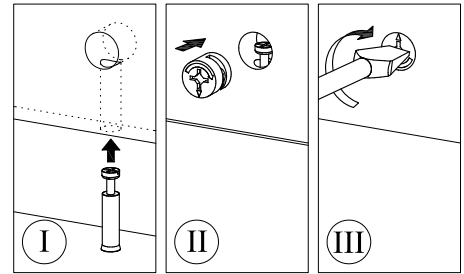
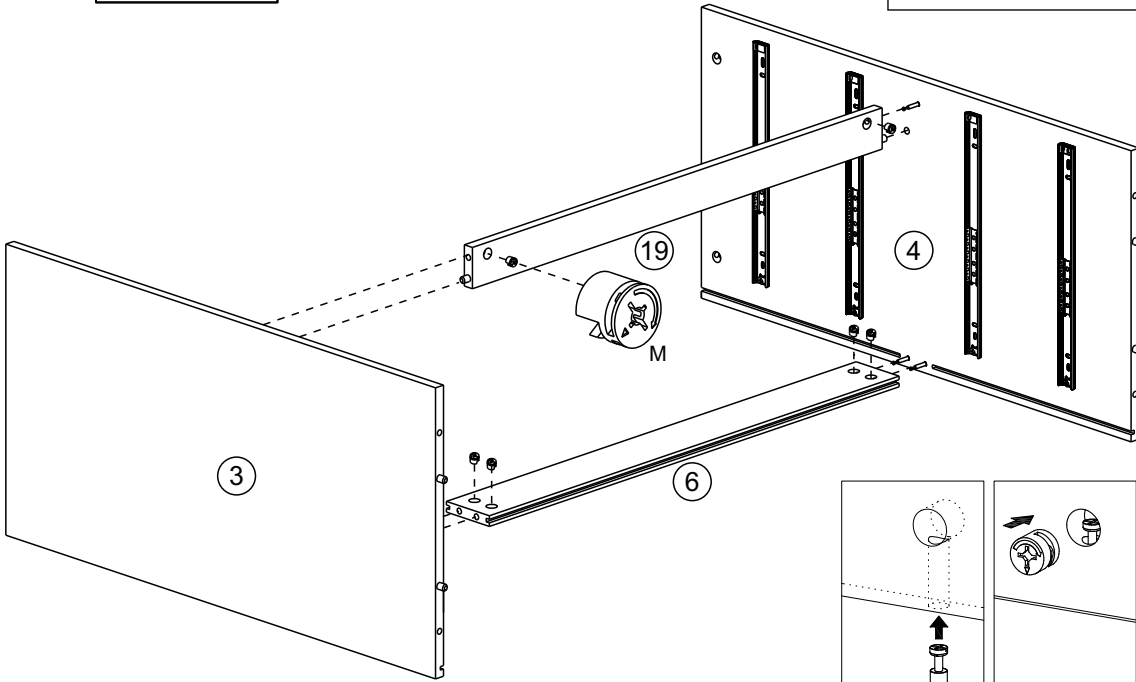
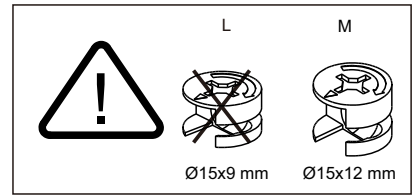
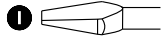
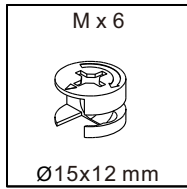
3



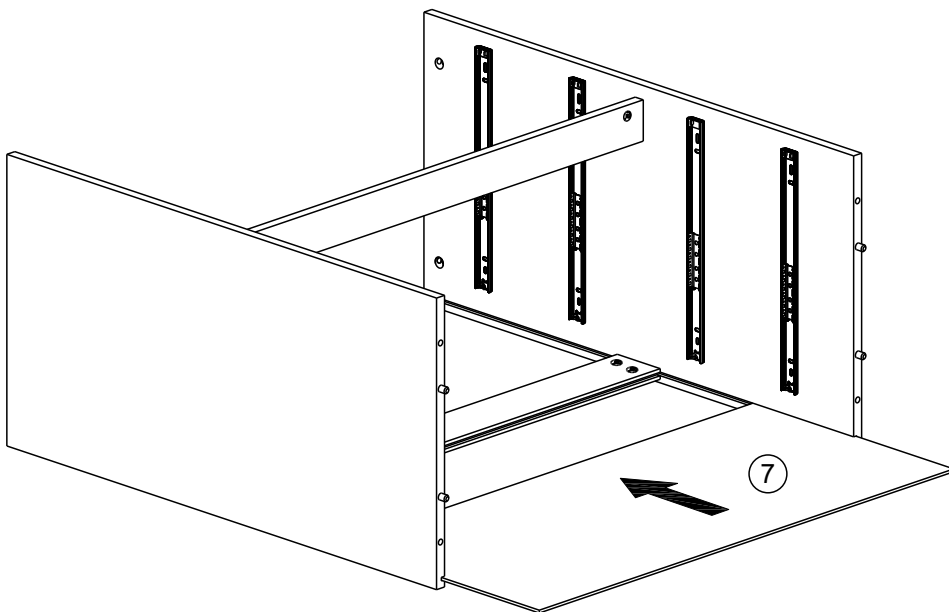
4



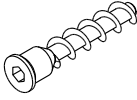

5

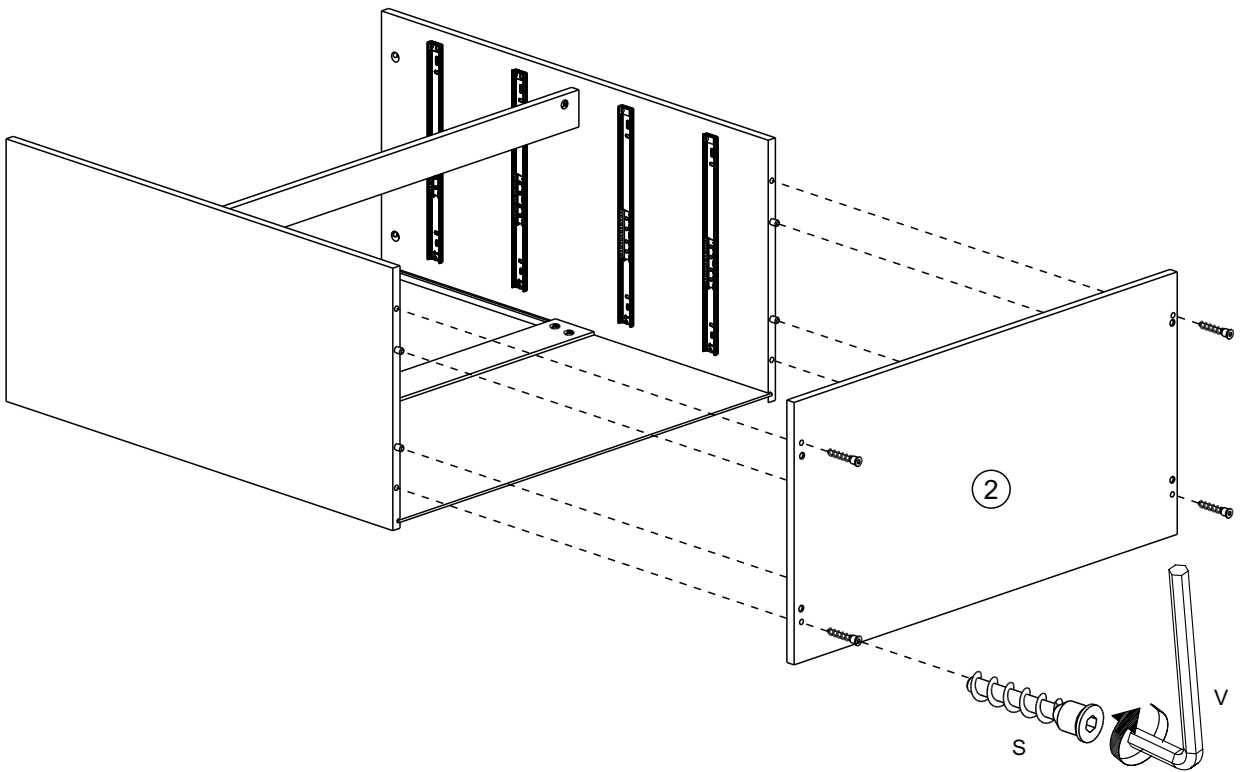


6



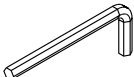


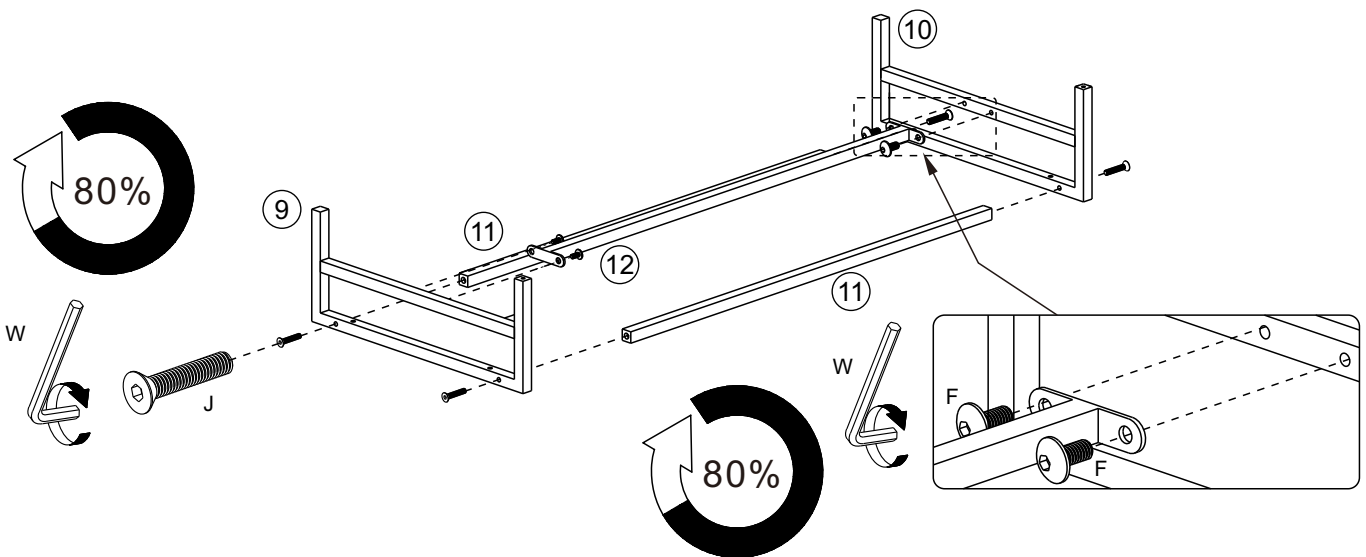
7

S x 4	V x 1
	
Ø5x38 mm	3 mm

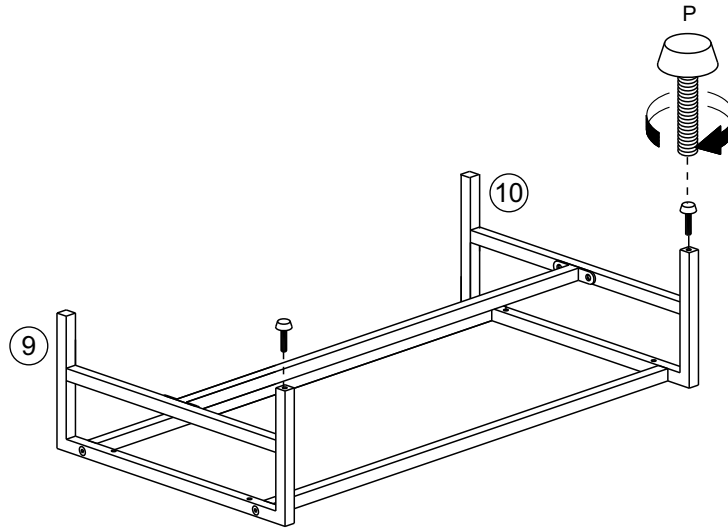
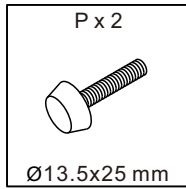


8

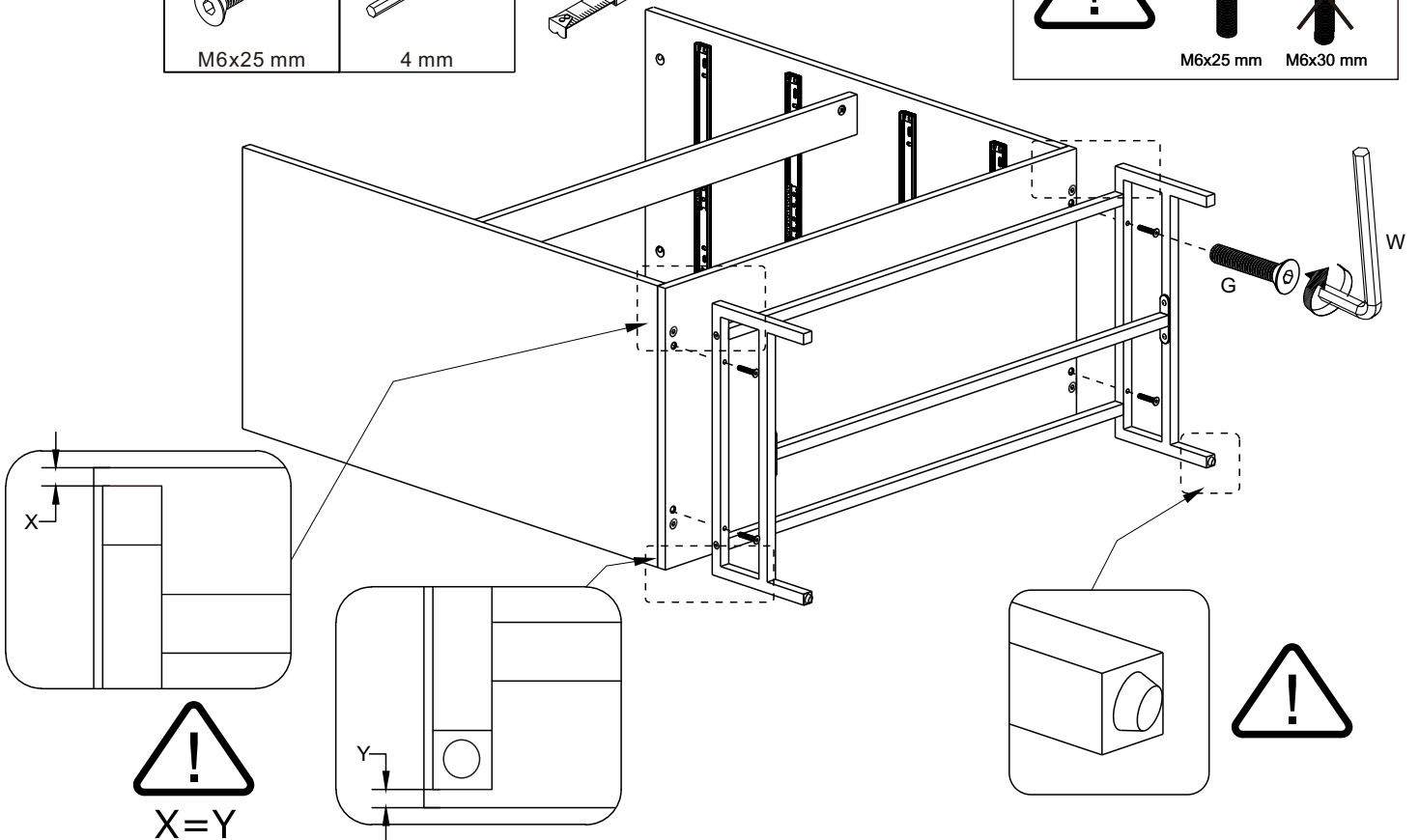
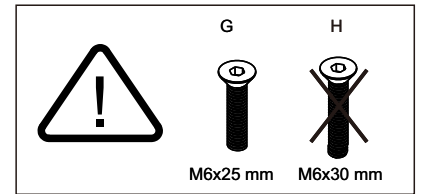
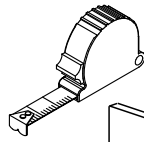
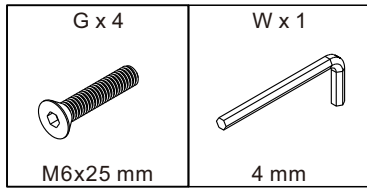
F x 4	J x 4	W x 1
		
M6x12 mm	M6x40 mm	4 mm



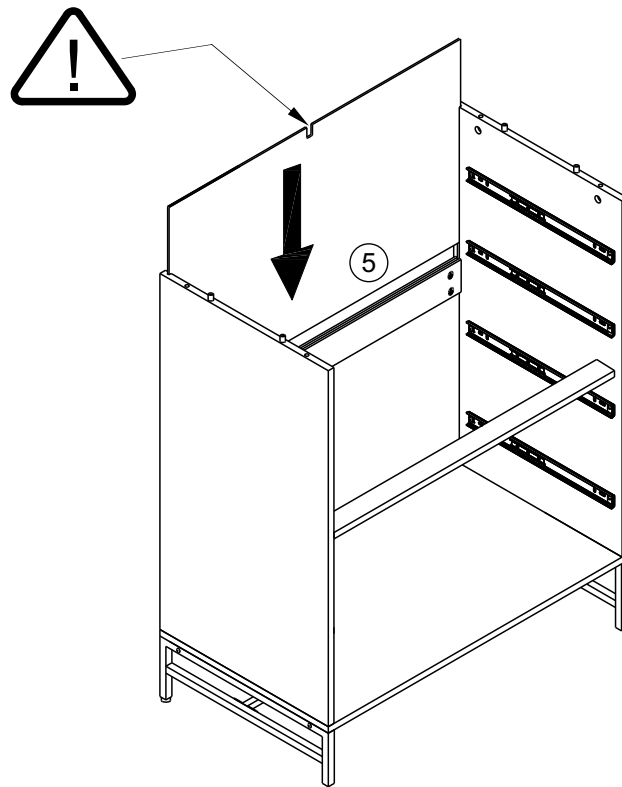
9



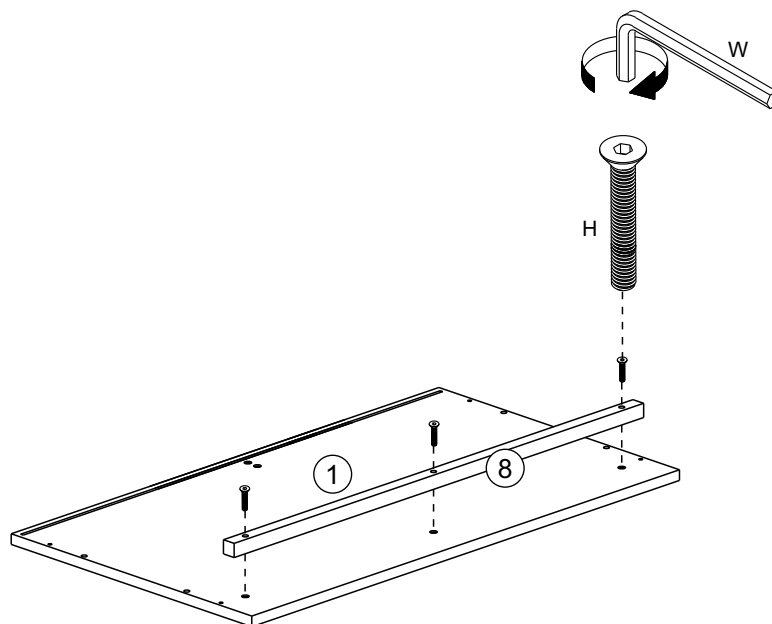
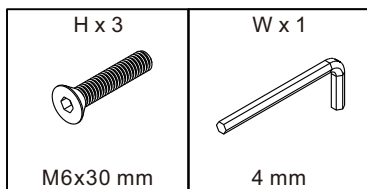
10





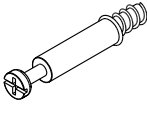
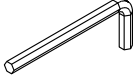
11

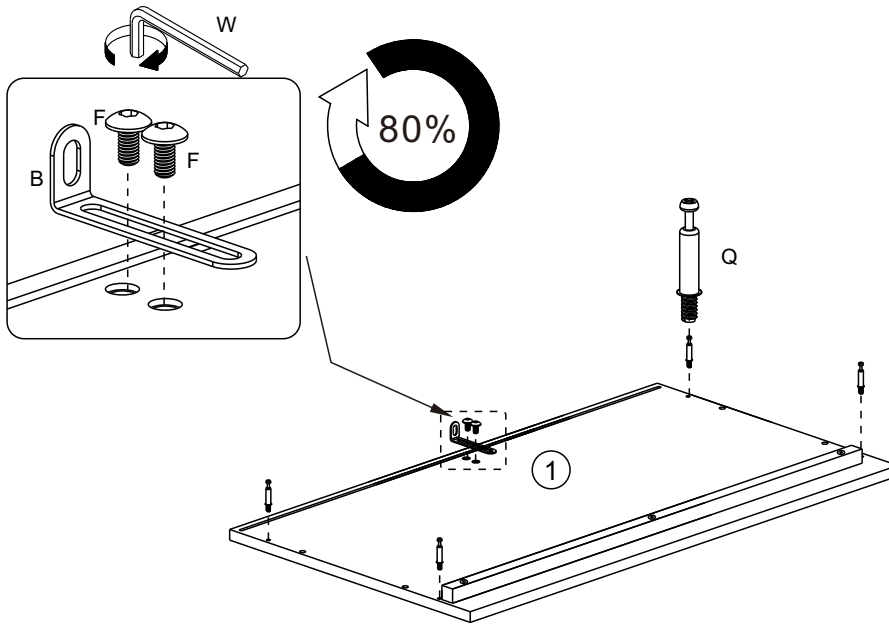
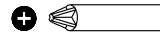


12

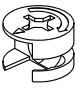


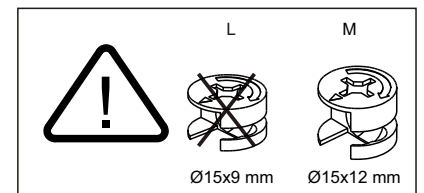
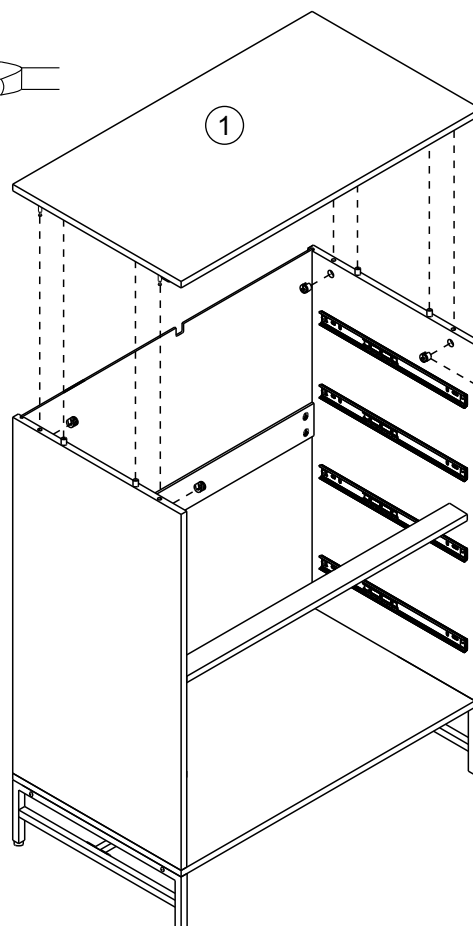
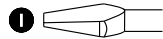
13

B x 1  75x25x15 mm	F x 2  M6x12 mm	Q x 4  Ø6x45 mm	W x 1  4 mm
---	--	--	--

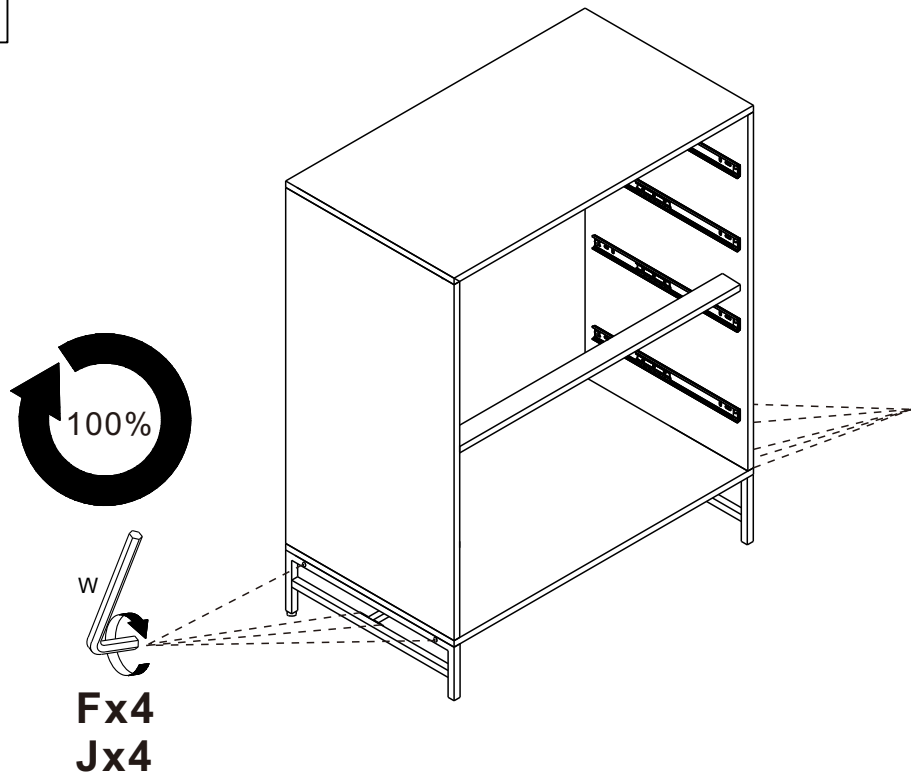
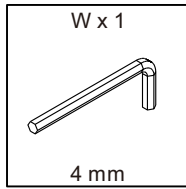


14

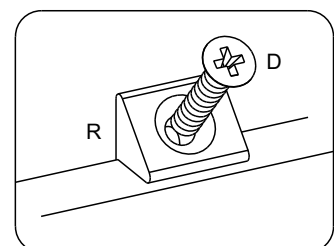
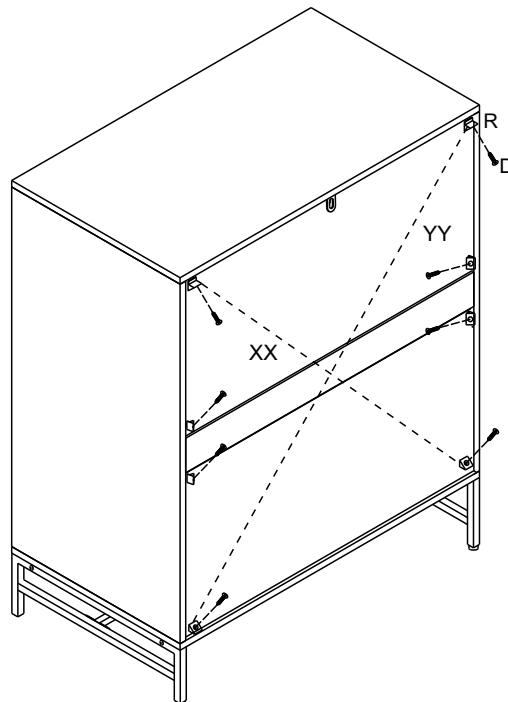
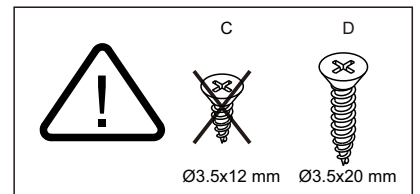
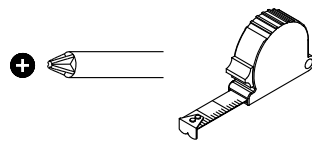
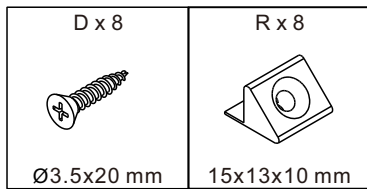
M x 4  Ø15x12 mm



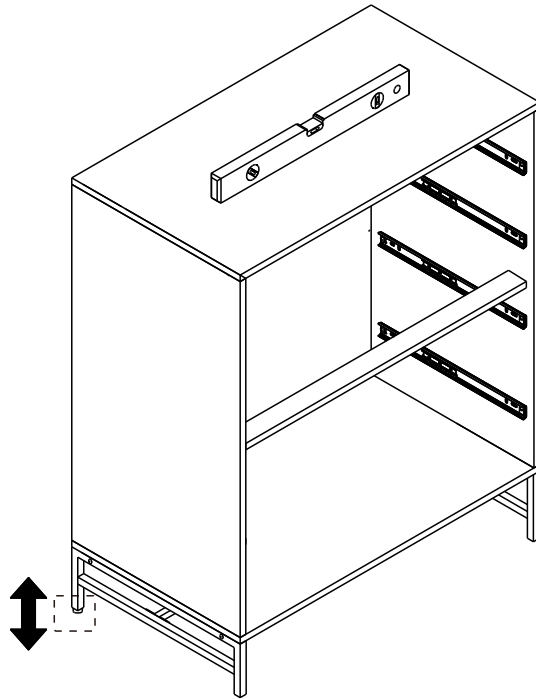
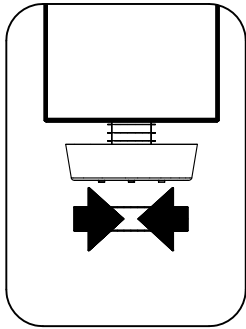
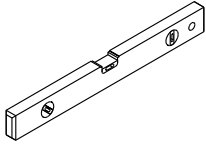
15



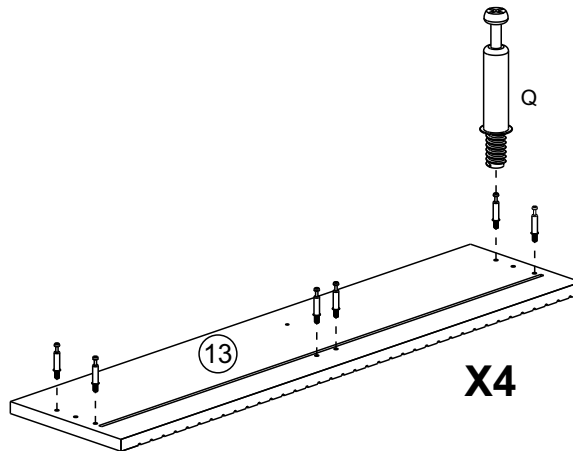
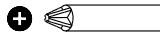
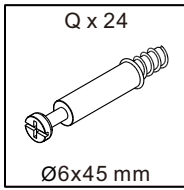
16



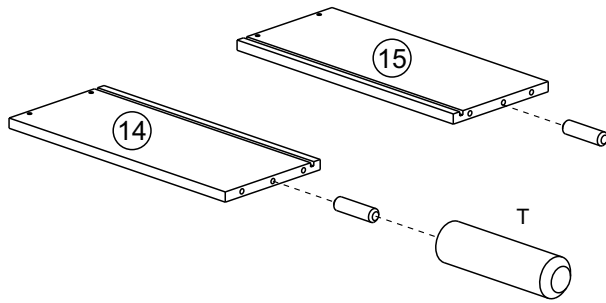
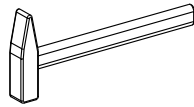
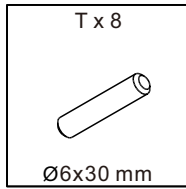
17



18

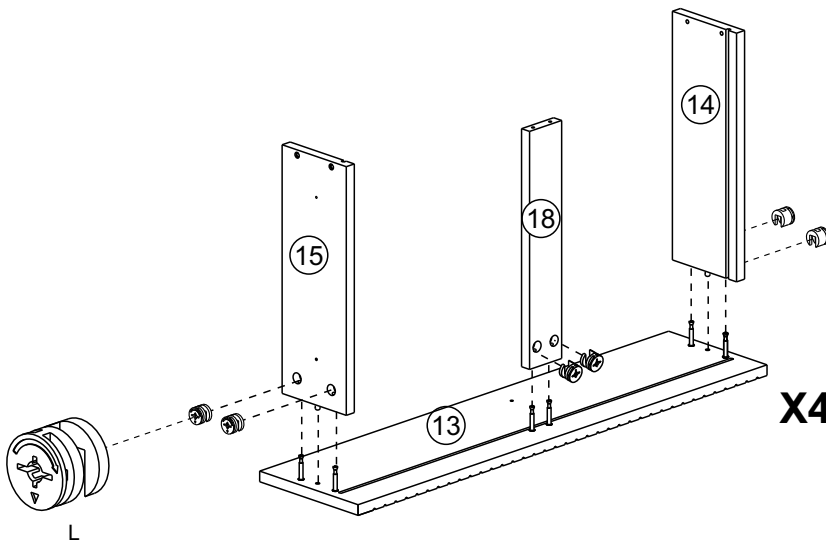
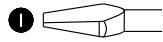
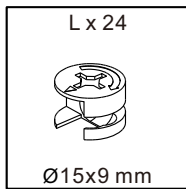


19



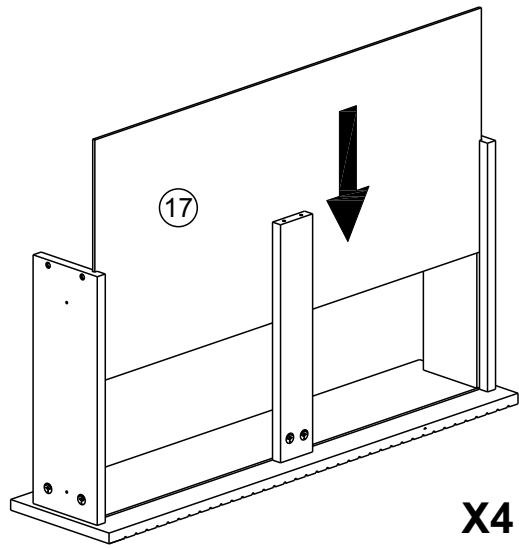
X4

20

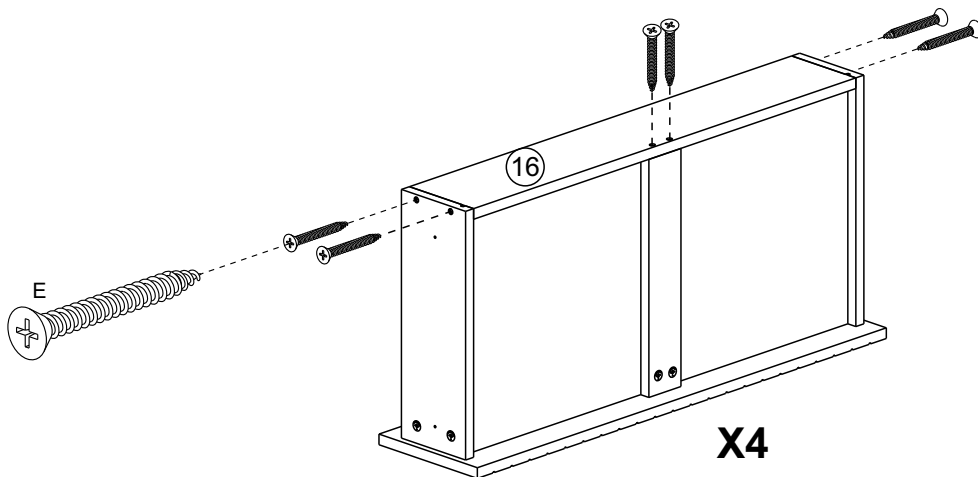
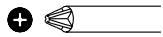
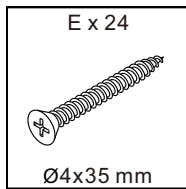


X4

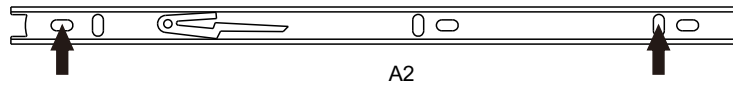
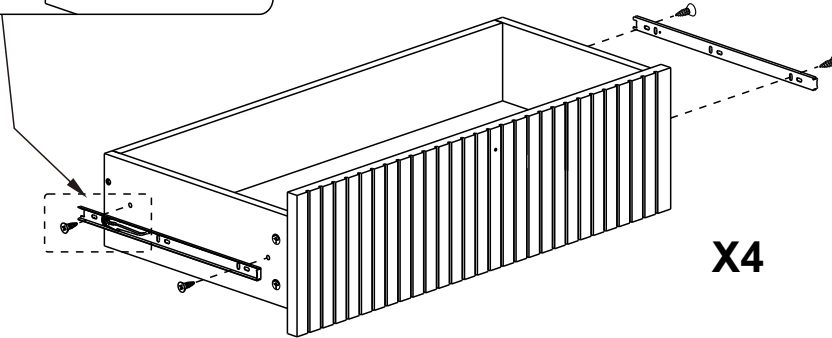
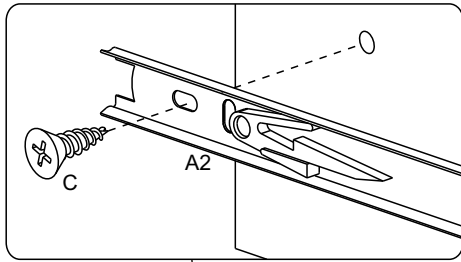
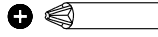
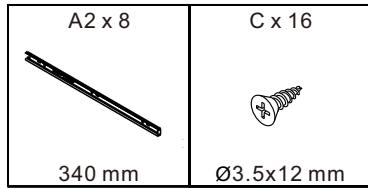
21



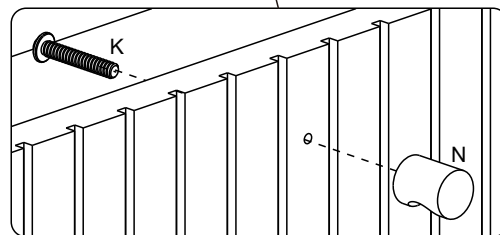
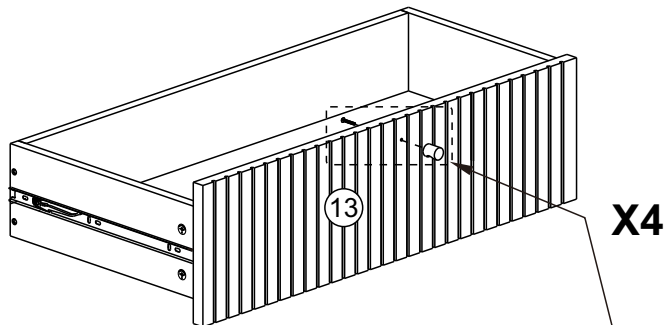
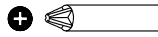
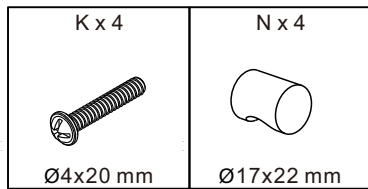
22



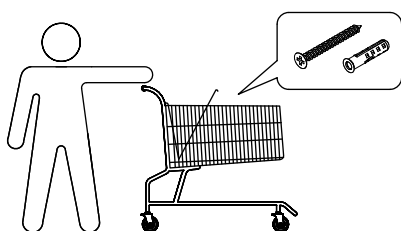
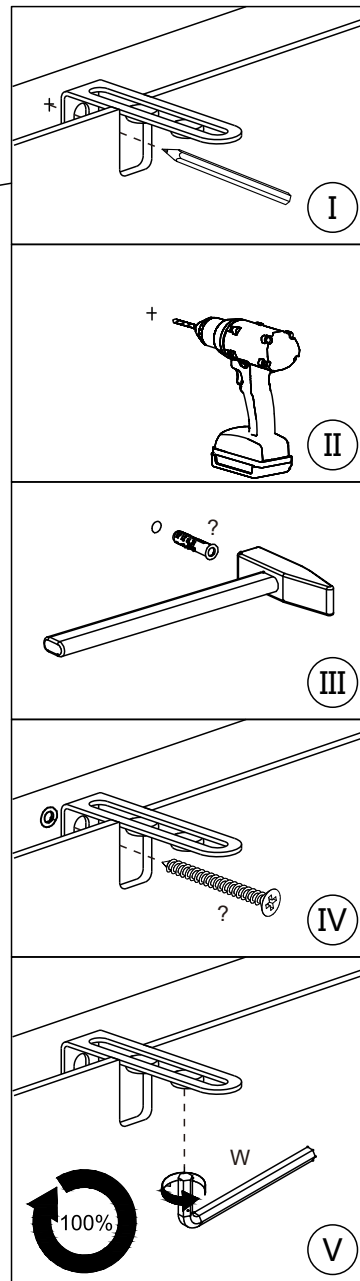
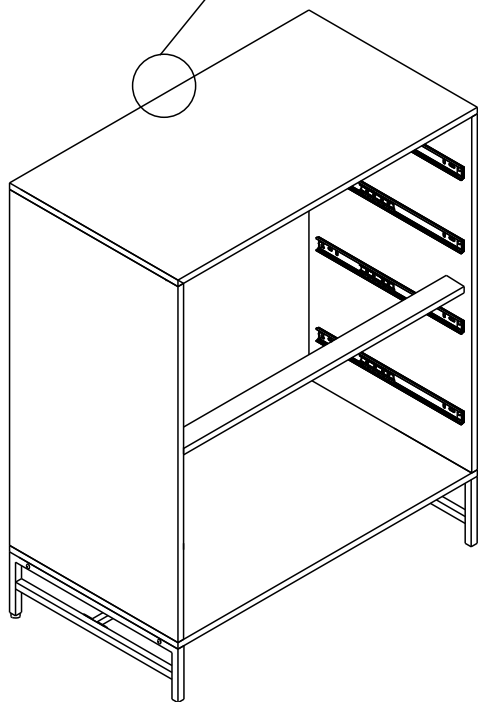
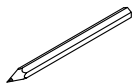
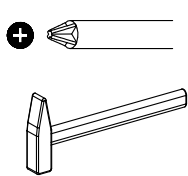
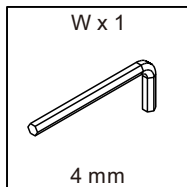
23



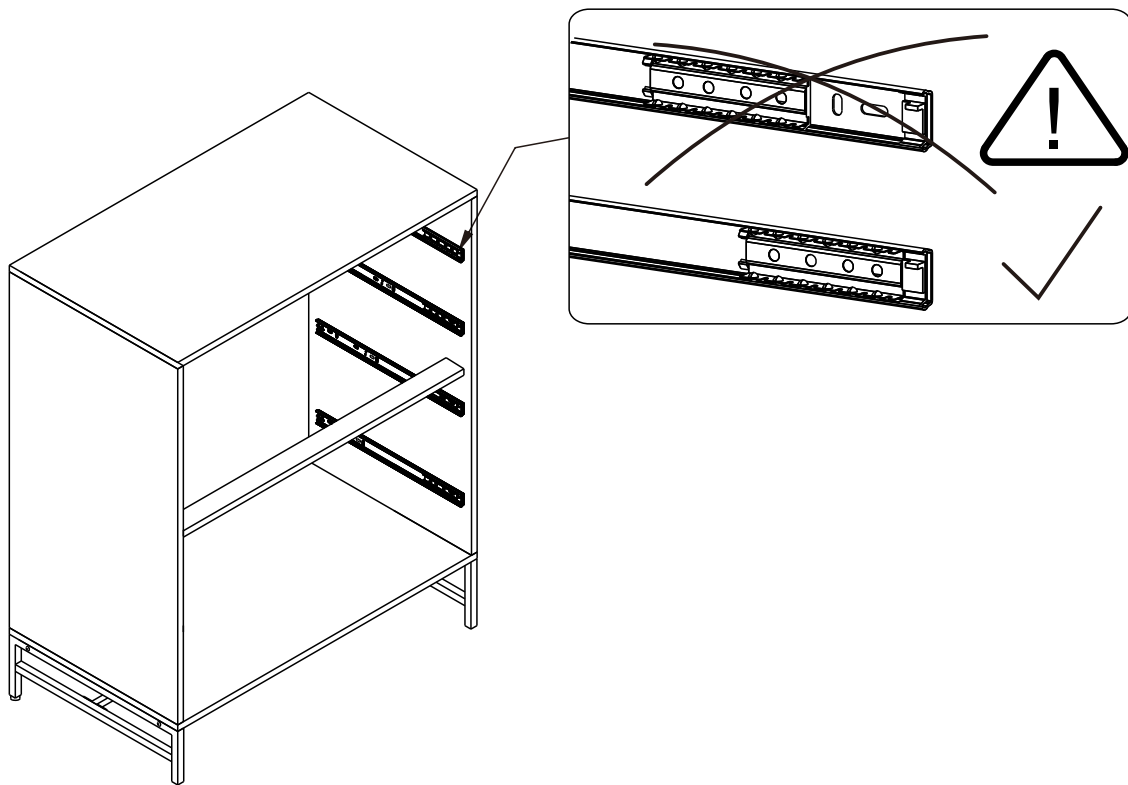
24



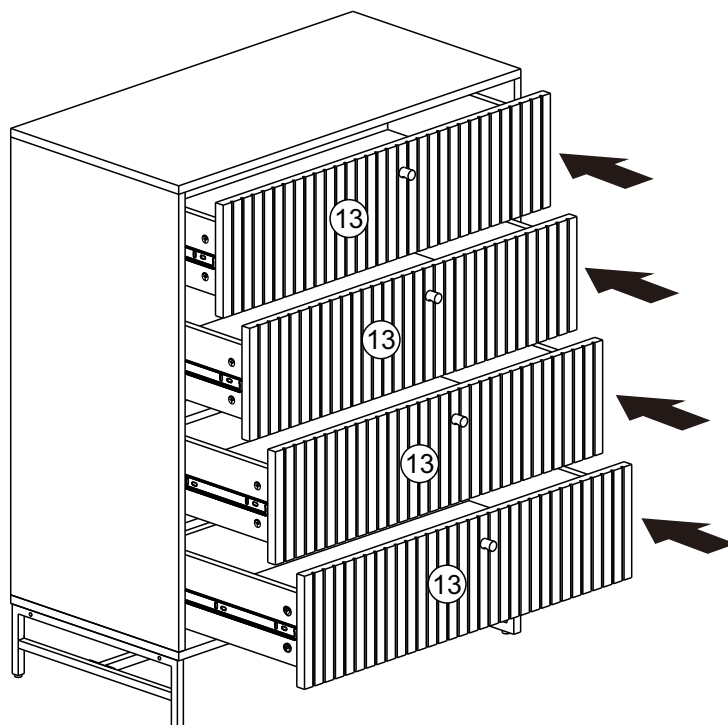
25



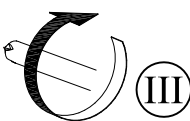
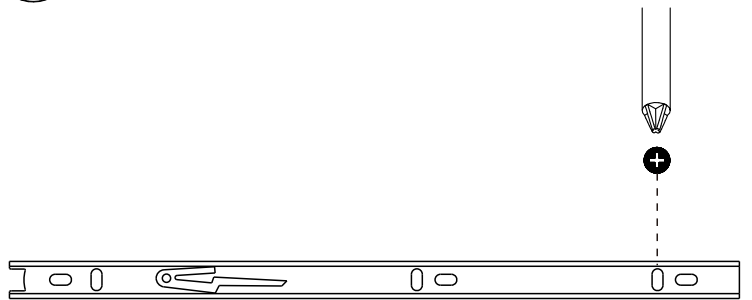
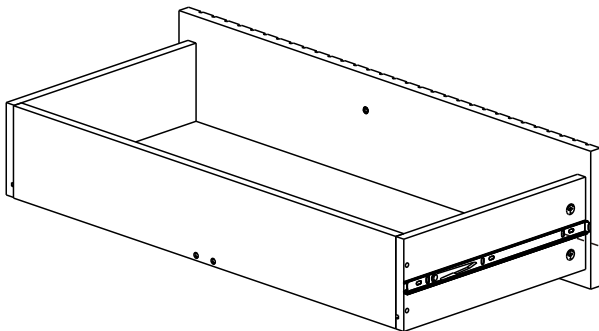
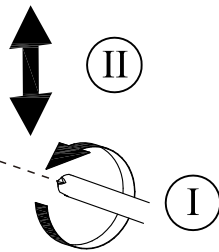
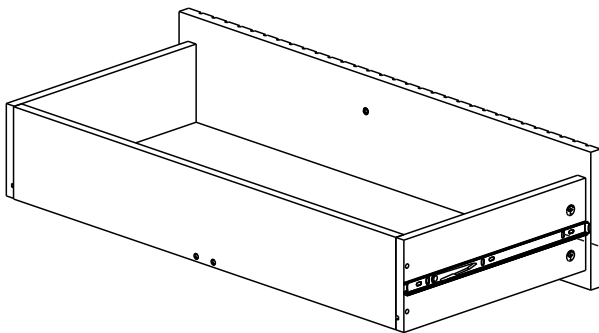
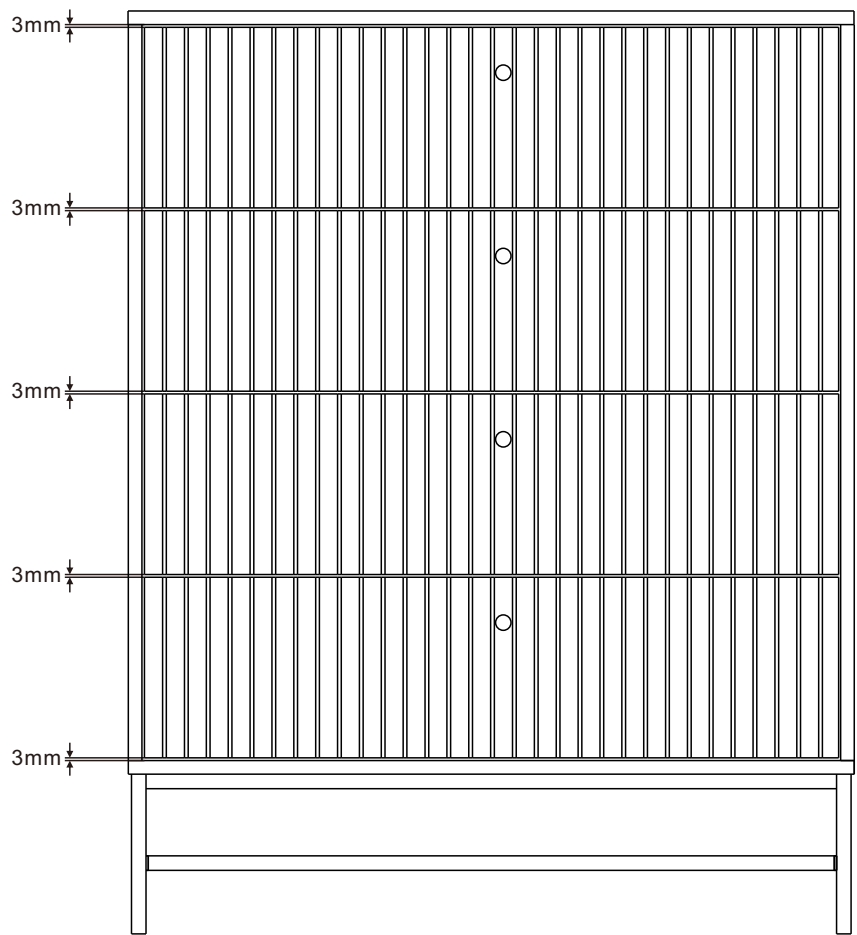
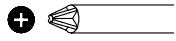
26



27



28



29

